



WD Series

Pre-Assembled 8" Loudspeaker, Transformer, Surface Baffle



Features

- Loudspeaker/Transformer/Baffle Packages are Convenient and Cost Effective
- Attractive Design is Suitable for Use in a Variety of Surface-Mount Applications
- 9.5° Sloped Design Offers Directional Sound Projection
- Includes High-Quality 8" Loudspeaker with Line Transformer
- Available in 25V and Dual-Voltage Models with Knob/Screwdriver-Adjust Volume Control Option

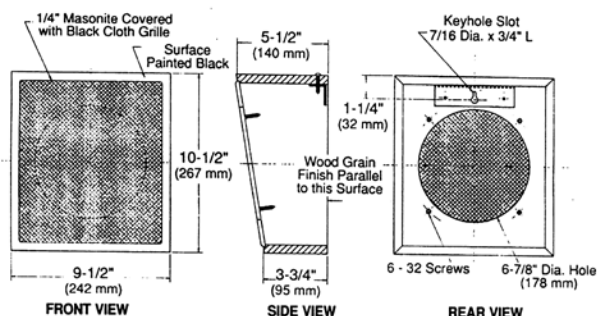
Application

Utilize Atlas Sound WD Series slope-front loudspeaker/baffle packages for a wide variety of surface-mount applications where aesthetics and high-quality sound reproduction are primary concerns. This attractive model series has been installed in offices, conference centers, reception areas, classrooms, lecture halls, and retail outlets.

General Description

WD Series. These loudspeaker/baffle packages feature a walnut grain wall baffle/enclosure with an attractive black fabric grille (Atlas Sound Model 417-WD). Baffles are designed with a 9.5° slope to provide directional sound dispersion offset in the direction of radiation. Units are constructed of durable particle board and finished with a walnut grain vinyl covering.

Each package contains a high-quality 8" dia. loudspeaker with a 5-ounce ceramic magnet and exhibits a wide frequency response with low distortion. A pre-assembled transformer is available in 25V and dual-voltage (25V/70.7V) versions with four power taps (refer to model/package descriptions below). Each package is also available with a 50Ω pot volume control for individual loudspeaker adjustment (specify models with "V" suffix). Knob may be removed and volume adjusted with a screwdriver to provide additional security if required.



MODEL / PACKAGE DESCRIPTION	
WD417-25	8" Loudspeaker with 25V transformer
WD417-72	8" Loudspeaker with 25V/70.7V transformer
WD417-72V	Model WD417-72 plus 50Ω Pot Volume Control

MODEL / PACKAGE DESCRIPTION			
WD417-25	8" Loudspeakers with 25V transformer	WD417-72V	Model WD417-72 PLUS 50Ω pot volume control
WD417-72	8" Loudspeakers with 25V/70.7V transformer	417-8WD	Enclosure Only (Unloaded)

BAFFLE / ENCLOSURE SPECIFICATIONS					
ALL WD SERIES MODELS	ENCLOSURE DIMENSIONS				
INCLUDE BAFFLE MODEL	SLOPE	WIDTH	HEIGHT	PROJECTS, TOP	PROJECTS, BOTTOM
417-8WD	9.5°	9-1/2" (242 mm)	10-1/2" (267 mm)	5-1/2" (140 mm)	3-3/4" (95 mm)

LOUDSPEAKER SPECIFICATIONS	
SIZE	8"
MAGNET	5.0 oz. (132g) Ceramic
V.C. DIAMETER	1" (25mm)
V.C. IMPEDANCE	8Ω
FLUX DENSITY	9,200 Gauss
SENSITIVITY	96dB @ 1W/1M
WATTS (PROGRAM)	15
FREQUENCY RESPONSE	50Hz - 15kHz

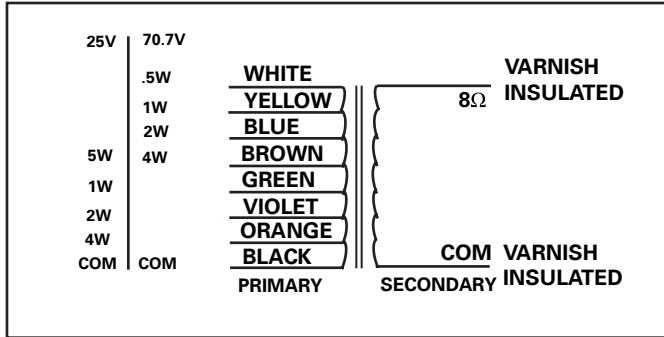
TRANSFORMER SPECIFICATIONS		
MODEL	25 VOLT	25V/70.7V
PRIMARY VOLTS	25	25/70.7
SECONDARY	8Ω	8Ω
CORE SIZE	1/2" x 5/8" (13 x 16 MM)	1/2" x 5/8" (13 x 16 MM)
TAPS	C, 1/2, 1, 2, 5	C, 1/2, 1, 2, 5
POWER	5 Watts	4 Watts
LEADS	Color Coded, Stripped & Tinned	

Architect & Engineering Specifications

WD Series. The loudspeaker/transformer/baffle package shall be Atlas Sound WD Series Model _____. Loudspeaker shall be an 8" (203mm) dia. cone type with a 5-ounce (132g) ceramic magnet. Frequency response shall be 50Hz-15kHz with a sensitivity of 96dB at 1 watt, 1 meter. Voice coil diameter shall be 1" (25mm) with an 8Ω impedance. Power handling capacity shall be 15 watts program. The transformer shall have a 1/2" x 3/8" core with primary taps of 1/2, 1, 2 and 5 watts or 1/2, 1, 2, and 4 watts. The transformer voltage shall be ____ (25V or 25V/70.7V). Baffle (Atlas Sound Model 417-8WD) shall slope 9.5° offset in the direction of radiation and be of particle board construction covered with a walnut laminate and black cloth grille. Baffle shall measure 9-1/2" (242 mm) wide and 10-1/2" (267mm) high with a projection of 5-1/2" (140mm) at the top and 3-3/4" (95mm) at the bottom.

TRANSFORMER COLOR CODE DIAGRAMS

WD417-72(V)



WD417-25

