

1 ft. x 2 ft.

DROP-IN CEILING SPEAKERS

**INSTALLS
FAST
& EASY!**

Drop-In Ceiling Speaker CSD1X2 & Variations with Back Can

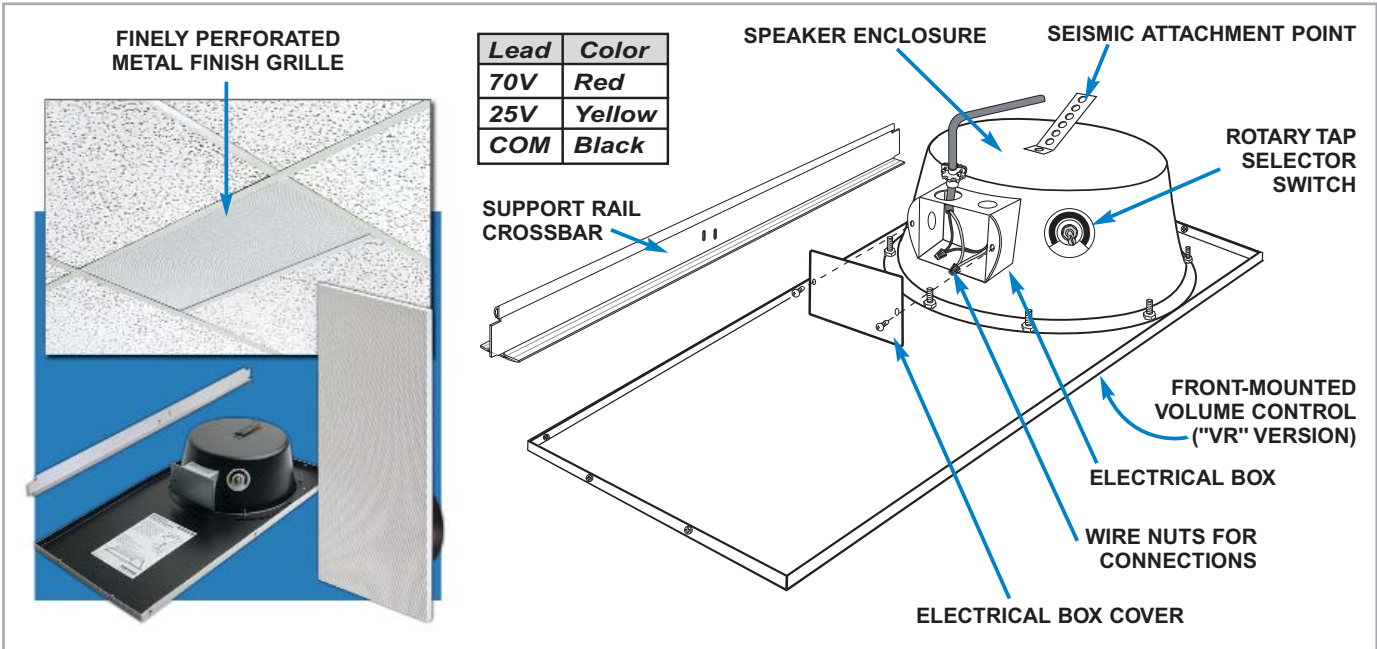
Bogen's CSD1X2 Drop-In Ceiling Speakers are 1' X 2' speakers that allow for fast and easy installation. Just make one simple cut to the ceiling tile, lay the support rail crossbar (included) across the ceiling grid, and drop the speaker into place.

- *Finely perforated grille over the entire front of speaker*
- *Fully enclosed, industrial grade steel construction*
- *Enclosed Back Can*
- *8" main cone with secondary high-frequency cone*
- *70V/25V, 4-watt transformer (4, 2, 1, 0.5, 0.25 watt) taps; selected by rotary switch*
- *Seismic attachment point*
- *Available in off-white and bright white ("U" versions) grille finish*
- *"VR" versions have a Recessed Volume Control (front-mounted)*
- *Complies with Requirements of UL-2043*
- *Support Rail Crossbar (included)*



BOGEN®

Drop-In Ceiling Speaker CSD1X2 & Variations (with Back Can)



Model	Off-white Finish	Bright White Finish (U)	Back Can	Recessed Volume Control (VR)
CSD1X2	●		●	
CSD1X2U		●	●	
CSD1X2VR	●		●	●
CSD1X2VRU		●	●	●

SPECIFICATIONS

Frequency Response 110 Hz - 20 kHz
 SPL @ 1W/1m 94 dB
 Power Taps 4, 2, 1, 0.5, 0.25 W
 Dispersion @ 2 kHz (6 dB down) . . . 100°
 Cone Material & Surround Treated paper
 Cones 8" main cone with secondary high frequency cone
 Magnet Weight 10 oz.
 Connection Via wire nuts (included in electrical box)
 Dimensions 12-7/8" W x 4-3/4" H x 23-3/4" D
 Product Weight 10 lb.

*70V and 25V Compatible.
 Plenum-Rated, complies with Requirements of Standard UL-2043.*

Architect and Engineer Specifications

The speaker shall be a Bogen Model CSD1X2. It shall be a 1 ft. x 2 ft. steel assembly with non-reflective, finished metal grille; damped high-compliance factory-mounted 8" loudspeaker with a treated paper cone; and 70V/25V transformer. The 8" main speaker cone shall have a 10 ounce magnet. A secondary high frequency cone speaker shall be included in the assembly. The back of the assembly shall have a back can enclosure. Output shall be 94 dB @ 1W/1m (min.). Frequency response shall be 110 Hz - 20 kHz (min.). Transformer shall have power taps of 4, 2, 1, 0.5, and 0.25 watts, selectable by rotary switch. A support rail crossbar shall be included. The speaker shall measure 12-7/8" W x 4-3/4" H x 23-3/4" D. The speaker shall weigh 10 lb.

- For CSD1X2:** Front grille shall be off-white in color.
- For CSD1X2U:** Front grille finish shall be bright white in color.
- For CSD1X2VR:** Front grille finish shall be off-white in color. An easily accessible, front-mounted recessed volume control shall be included.
- For CSD1X2VRU:** Front grille finish shall be bright white in color. An easily accessible, front-mounted recessed volume control shall be included.

BOGEN[®]
COMMUNICATIONS, INC.

50 Spring Street, Ramsey, NJ 07446, U.S.A.
Tel: 201-934-8500 • Fax: 201-934-9832 www.bogen.com

Specifications subject to change without notice.
© 2007 Bogen Communications, Inc.
Part No. 54-9261-01F 0809