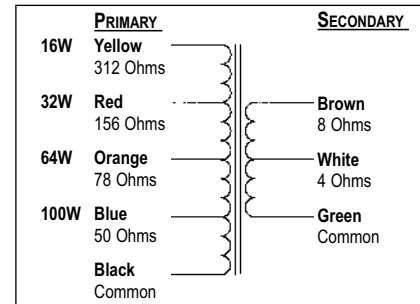
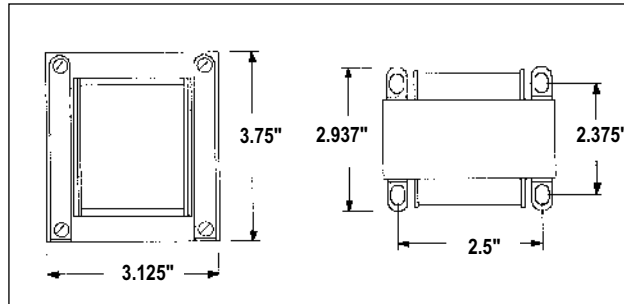


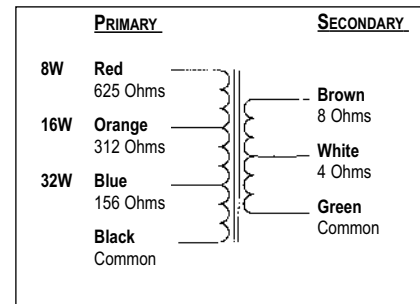
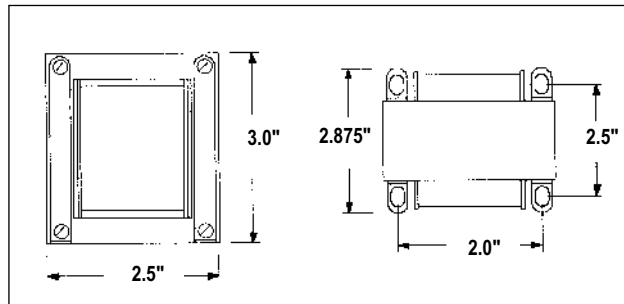
A&E Specifications

Line matching transformer shall be Lowell Model _____. Primary voltage shall be 70V with a power rating of _____ watts. Primary taps shall be available at _____ watts. Secondary impedance taps shall be available at 8-ohms and 4-ohms. All taps shall have color coded and clearly marked leads. Frequency response of the transformer shall be _____ with insertion loss not to exceed _____ dB.



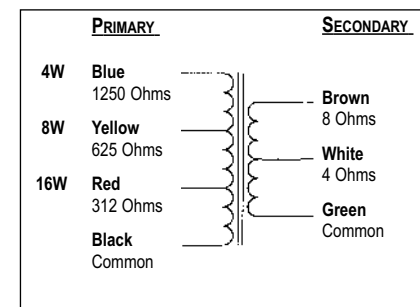
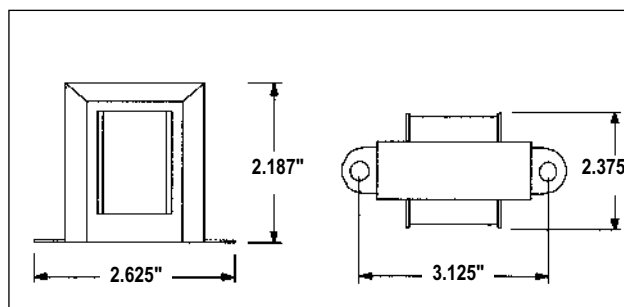
TLM10070A

Primary Voltage	Power Rating	Primary Taps	Secondary Impedance	Core Size	Insertion Loss	Frequency Response	Lead Length	Weight (lbs.)
70V	100W	100, 64, 32, 16W	8, 4 Ohms	1.25" x 1.25"	.6dB	50Hz-15kHz \pm 1dB	18"	4.45



TLM3270A

Primary Voltage	Power Rating	Primary Taps	Secondary Impedance	Core Size	Insertion Loss	Frequency Response	Lead Length	Weight (lbs.)
70V	32W	32, 16, 8W	8, 4 Ohms	1" x 1.5"	.6dB	50Hz-15kHz \pm 1dB	18"	3.2



TLM1670A

Primary Voltage	Power Rating	Primary Taps	Secondary Impedance	Core Size	Insertion Loss	Frequency Response	Lead Length	Weight (lbs.)
70V	16W	16, 8, 4W	8, 4 Ohms	.875" x 1.25"	.6dB	50Hz-15kHz \pm 1dB	18"	2



TLM Series

100W, 32W, and 16W High Performance Transformers

LOWELL TRANSFORMER SPECIFICATION OVERVIEW

Xfmr Model	Primary Voltage	Power Rating	Primary Taps	Secondary Impedance	Core Size	Insertion Loss	Frequency Response	Lead Length	Weight (lbs.)	Spec Sheet*
Premium Performance Transformers										
TLS10070	70V	100W	100, 64, 32, 16W	8, 4 Ohms	1.375" x 1.75"	.6dB	20Hz-20kHz \pm 1dB	18"	7.5	2d-401
TLS3270	70V	32W	32, 16, 8W	8, 4 Ohms	1.25" x 1.25"	.6dB	20Hz-20kHz \pm 1dB	18"	4.7	2d-401
High Performance Transformers										
TLM10070A	70V	100W	100, 64, 32, 16W	8, 4 Ohms	1.25" x 1.25"	.6dB	50Hz-15kHz \pm 1dB	18"	4.45	2d-402
TLM3270A	70V	32W	32, 16, 8W	8, 4 Ohms	1" x 1.5"	.6dB	50Hz-15kHz \pm 1dB	18"	3.2	2d-402
TLM1670A	70V	16W	16, 8, 4W	8, 4 Ohms	.875" x 1.25"	.6dB	50Hz-15kHz \pm 1dB	18"	2.0	2d-402
TLM870	70V	8W	8, 4, 2, 1W	8, 4 Ohms	.75" x .75"	.8dB	50Hz-15kHz \pm 1dB	8"	0.9	2d-403
TLM825	25V	8W	8, 4, 2, 1W	8, 4 Ohms	.75" x .75"	.8dB	50Hz-15kHz \pm 1dB	8"	0.9	2d-403
TLM470	70V	4W	4, 2, 1, .5W	8 Ohms	.625" x .625"	.8dB	60Hz-15kHz \pm 1dB	8"	0.55	2d-403
General Purpose Transformers										
TLM572	70 / 25V	5W	5, 2, 1, 0.5, 0.25W	8 Ohms	.5" x .5"	< 0.5dB	40Hz-20kHz \pm 1dB	8"	0.4	2d-405

*Refer to the corresponding specification sheet for each model to find dimensional drawings and color code diagrams.

A
U
D
I
O


12"/10"
Speakers &
Accessories

8"
Speakers &
Accessories

6"
Speakers &
Accessories

4"
Speakers &
Accessories

Horn
Speakers &
Accessories

Masking
Speakers &
Generators

Control
Accessories
& Electronics

Transformers